

ATX™ D Series Pre-Drilled Control Stations

Flameproof

ATEX:
Zone 1 and 2 – 21 and 22
 Ⓢ II 2 GD
 IP66 – IK09/IK10

Applications

- Local control stations for use in hazardous areas.
- Control of equipment at power plants, chemical and petrochemical plants, petroleum refineries, pulp and paper processing plants and various industrial applications.

Features

- 1 and 2 Function Ex d IIC:
 - For TS35 rail mounted contact block.
 - Actuators and contact blocks to be ordered separately.
 - Up to 3 contacts per function.
 - Threaded flameproof joint.
 - Internal earth terminal 2 x 4 mm² (0.006 in²).
 - External ground terminal: M5.
 - 1 x M20 or M25 threaded entry at bottom.
 - Cable glands and plugs to be ordered separately.
- 2 to 6 Function Ex d IIB:
 - For TS35 rail mounted contact block.
 - Actuators and contact blocks to be ordered separately.
 - Up to 3 contacts per function.
 - Flanged flameproof joint.
 - Yellow laminated plastic legend plate with black lettering.
 - Internal earth terminal: 2 x 4 mm² (0.006 in²).
 - External earth terminal: M6 screw and M8 earth stud (CF2B type).
 - 2 x M20 threaded entries at the bottom.
 - Cable glands and plugs to be ordered separately.

Standard Materials

- Box: gray painted marine grade aluminum alloy
- CF2B box: gray painted cast iron for CF2B

ATEX Certifications and Compliances

- Certification Type BR1d
 - Gas, Zones 1 and 2
 - Conforming to ATEX 94/9/CE: Ⓢ II 2 G
 - Type of Protection: Ex d IIC
 - Temperature Class: T6 for Ta = +40 °C (+104 °F), T5 for Ta = +55 °C (+131 °F)
 - Dust, Zones 21 and 22
 - Conforming to ATEX 94/9/CE: Ⓢ II 2 D
 - Type of Protection: Ex tD A21
 - Surface Temperature: T95 °C (T203 °F)
 - Ambient Temperature: -40 °C to +55 °C (-40 °F to +131 °F)
 - Impact Resistance (shock): IK10
 - CE Declaration of Conformity: 20530
 - ATEX Certificate: LCIE 02 ATEX 6056
 - Index of Protection according EN/IEC 60529: IP66
- Certification Type CF2D
 - Gas, Zones 1 and 2
 - Conforming to ATEX 94/9/CE: Ⓢ II 2 G
 - Type of Protection: Ex d IIB
 - Temperature Class: T6 for Ta = +40 °C (+104 °F), T5 for Ta = +55 °C (+131 °F)
 - Dust, Zones 21 and 22
 - Conforming to ATEX 94/9/CE: Ⓢ II 2 D
 - Type of Protection: Ex tD A21
 - Surface Temperature: T95 °C (T203 °F)
 - Ambient Temperature: -40 °C to +55 °C (-40 °F to +131 °F)
 - Impact Resistance (shock): IK10
 - CE Declaration of Conformity: 50254
 - ATEX Certificate: LCIE 03 ATEX 6061X
 - Index of Protection according EN/IEC 60529: IP66

1 Function



2 Function



2 Function



3 Function



6 Function



- Certification Type BR2d
 - Gas, Zones 1 and 2
 - Conforming to ATEX 94/9/CE: Ⓢ II 2 G
 - Type of Protection: Ex d IIC
 - Temperature Class: T6
 - Dust, Zones 21 and 22
 - Conforming to ATEX 94/9/CE: Ⓢ II 2 D
 - Type of Protection: Ex tD A21
 - Surface Temperature: T80 °C (T176 °F)
 - Ambient Temperature: -40 °C to +55 °C (-40 °F to +131 °F)
 - Impact Resistance (shock): IK09
 - CE Declaration of Conformity: 50256
 - ATEX Certificate: LCIE 03 ATEX 6062
 - Index of Protection according EN/IEC 60529: IP66
- Certification Type CF2B
 - Gas, Zones 1 and 2
 - Conforming to ATEX 94/9/CE: Ⓢ II 2 G
 - Type of Protection: Ex d IIC
 - Temperature Class: T6 for Ta ≤ +40 °C (+104 °F), T5 for +40 (+104 °F) °C < Ta ≤ +55 °C (+131 °F)
 - Dust, Zones 21 and 22
 - Conforming to ATEX 94/9/CE: Ⓢ II 2 D
 - Type of Protection: Ex tD A21
 - Surface Temperature: T95 °C (T203 °F)
 - Ambient Temperature: -40 °C to +55 °C (-40 °F to +131 °F)
 - Impact Resistance (shock): IK10
 - CE Declaration of Conformity: 50254
 - ATEX Certificate: LCIE 03 ATEX 6061X
 - Index of Protection according EN/IEC 60529: IP66
- Internal Volume: ≤ 2 dm³ (122 in³) - 2 liters

EURASEC Certification

- EURASEC RU C-FR. Г505.B.00911

Other Certification ①

- INMETRO: BR 230482-Be1D










① INMETRO certification available on special request only. Contact your local sales representative for more information.

ATX™ D Series Pre-Drilled Control Stations

Flameproof

ATEX:
 Zone 1 and 2 – 21 and 22
 II 2 GD
 IP66 – IK09/IK10

For TS35 Rail Mounted Actuators

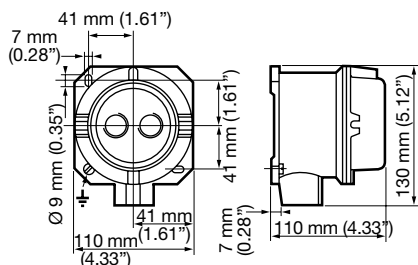
	Type	Description/Function	Bottom Entries	Weight kg (lb)	Volume dm ³ (in ³)	Catalog Number
1 Function Ex d IIC Control Stations:						
	BR1d	For push button, pilot light or selector switch	1 x M20	0.9 (1.98)	2 (122)	DA1W1E101
	BR1d	For push button, pilot light or selector switch	1 x M25	0.9 (1.98)	2 (122)	DA1W3E101
2 Function Ex d IIC Pre-drilled Box:						
	BR1d	For push button (non-mushroom type) 2 contacts maximum for each function	1 x M20	0.9 (1.98)	2 (122)	DA1W1E201
	BR1d	For push button (non-mushroom type) 2 contacts maximum for each function	1 x M25	0.9 (1.98)	2 (122)	DA1W3E201
2 Function Ex d IIB Pre-drilled Box:						
	CF2D	For push button, pilot light or selector switch	2 x M20	2.3 (5.07)	7 (427)	DA4W2E202
3 Function Ex d IIB Pre-drilled Box:						
	CF2D	For push button, pilot light or selector switch (2 switches maximum)	2 x M20	3 (6.61)	7 (427)	DA5W2E301
	CF2D	For push button, pilot light and ammeter 48 x 48 mm (1.73 x 1.73") (ammeter with round barrel)	2 x M20	3 (6.61)	7 (427)	DA5W2E302
4 Function Ex d IIB Pre-drilled Box:						
	CF2D	For push button, pilot light and ammeter 48 x 48 mm (1.73 x 1.73") (ammeter with round barrel)	2 x M20	3 (6.61)	7 (427)	DA5W2E401
6 Function Ex d IIB Pre-drilled Box:						
	CF2D	For push button and pilot light 2 Contacts maximum for each function	2 x M20	3 (6.61)	7 (427)	DA5W2E601
	CF2B	For push button, pilot light or selector switch (3 switches maximum)	2 x M20	13 (28.66)	13 (793)	DA3W2E601
1 Meter Ex d IIC Pre-drilled Box:						
	BR2d	For indicator 72 x 72 mm (2.83 x 2.83") or 96 x 96 mm (3.78 x 3.78") with round barrel Mounting plate for indicator diameter. 67 mm (2.64")	2 x M20	4 (8.82)	11 (671)	DA2W2E102

ATX™ D Series Pre-Drilled Control Stations Flameproof

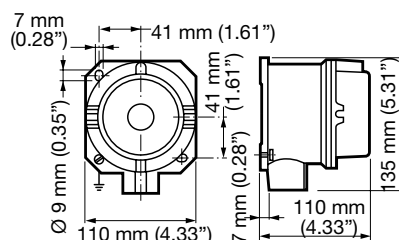
ATEX:
Zone 1 and 2 – 21 and 22
II 2 GD
IP66 – IK09/IK10

Dimensions in Millimeters (Inches) for TS35 Rail Mounted Operators

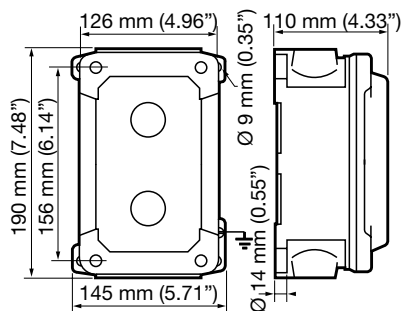
BR1d (1 Function)



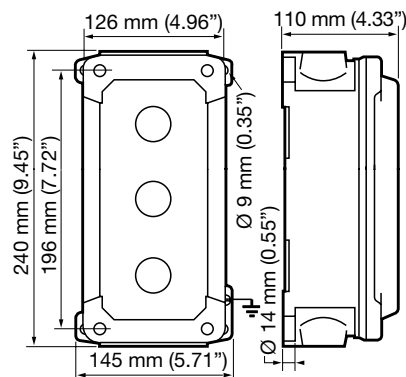
BR1d (2 Functions)



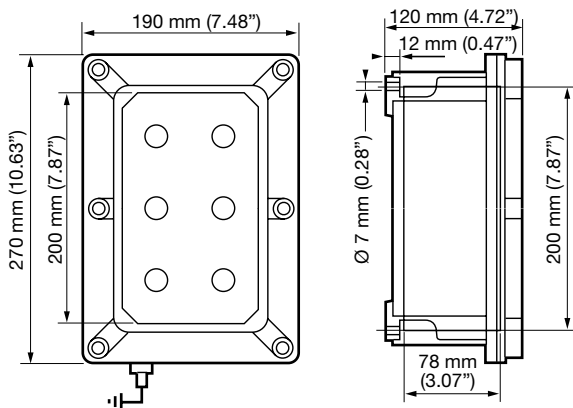
CF2D (2 Functions)



CF2D (3–4–6 Functions)



CF2B (6 Functions)



BR2d

